

Supreme 67

MOTORIZED SYSTEM



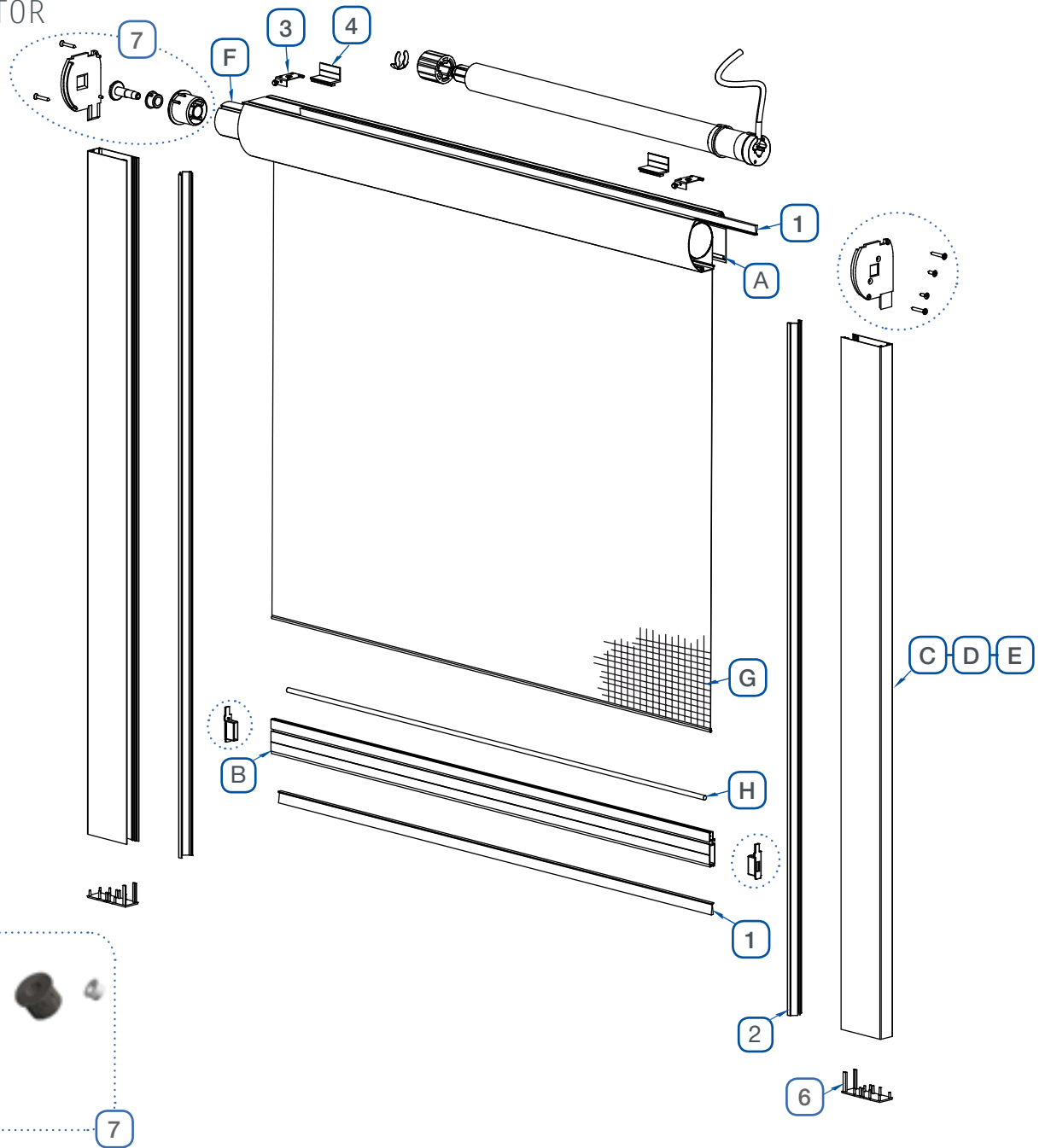
NEW



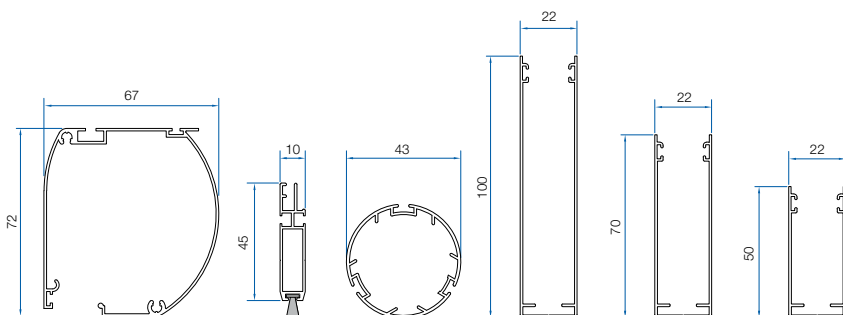


S67 VERTICAL

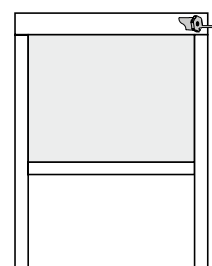
WITH MOTOR



Profiles sections



Opening options



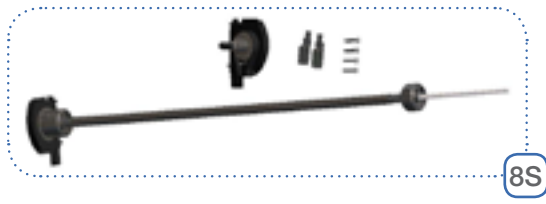
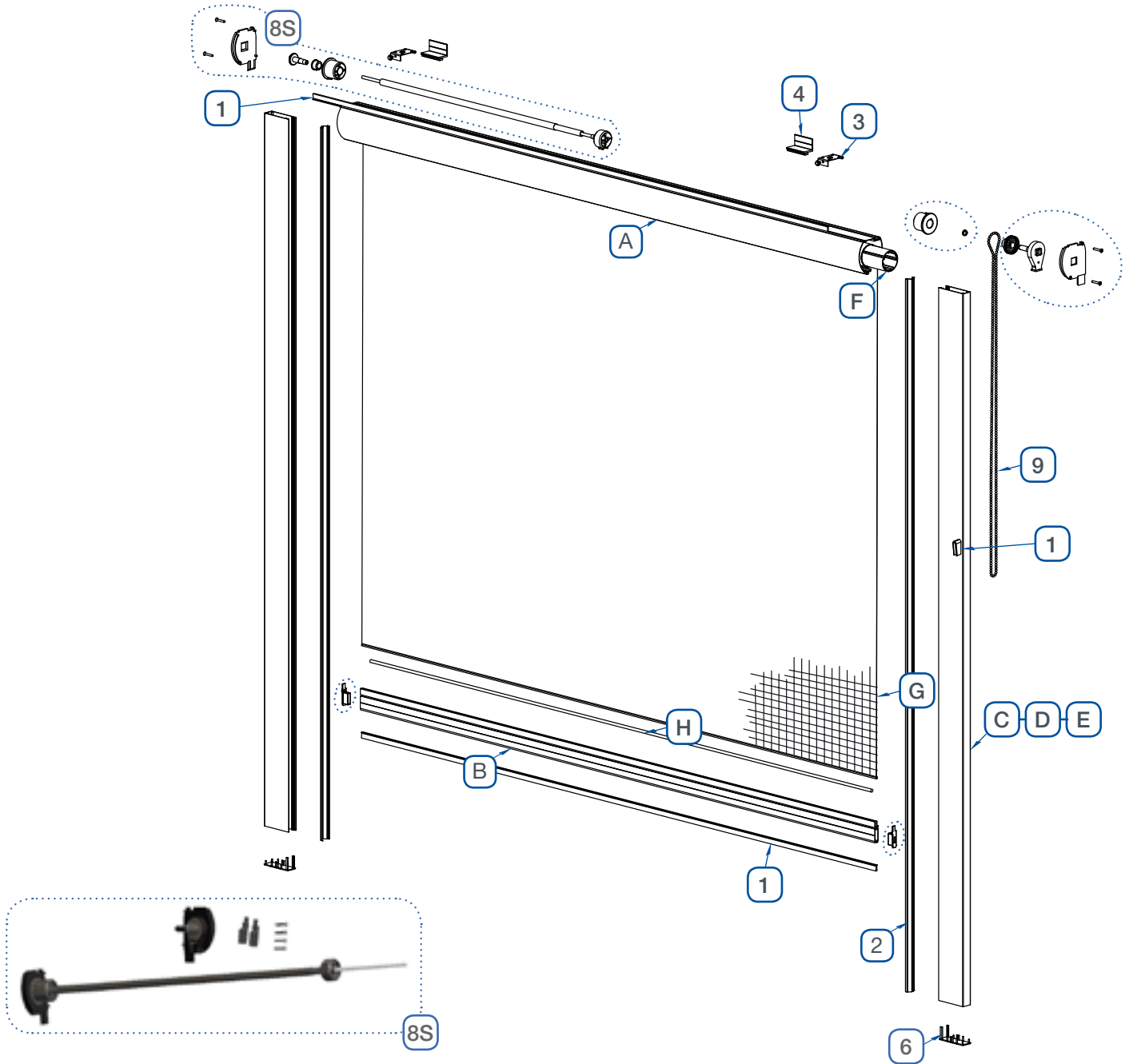
Max dimensions

Width	Height
4600	3200

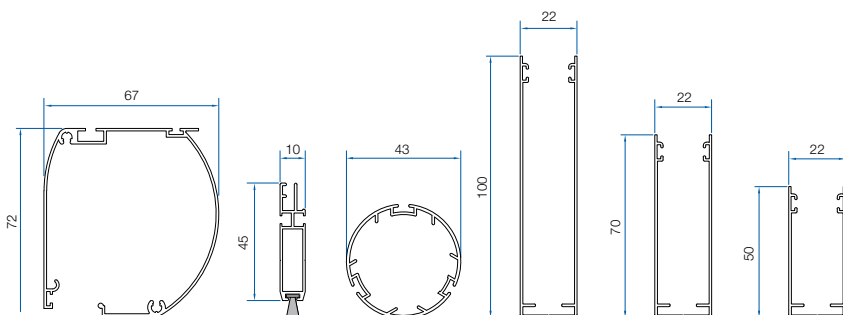


S67 VERTICAL WIDTH<1800

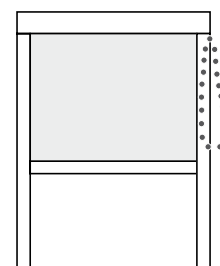
WITH CHAIN



Profiles sections



Opening options



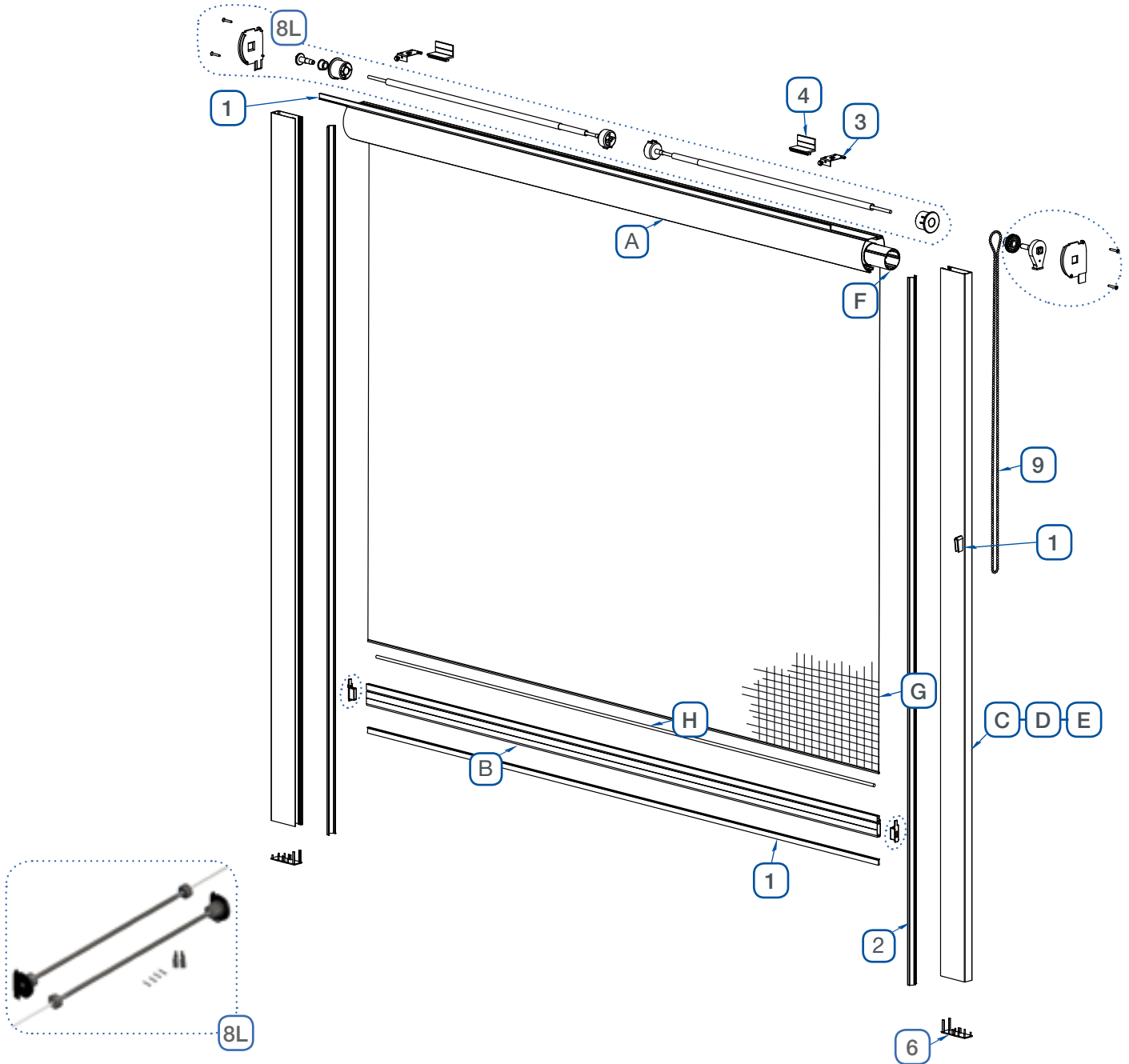
Max dimensions

Width	Height
1800	3200

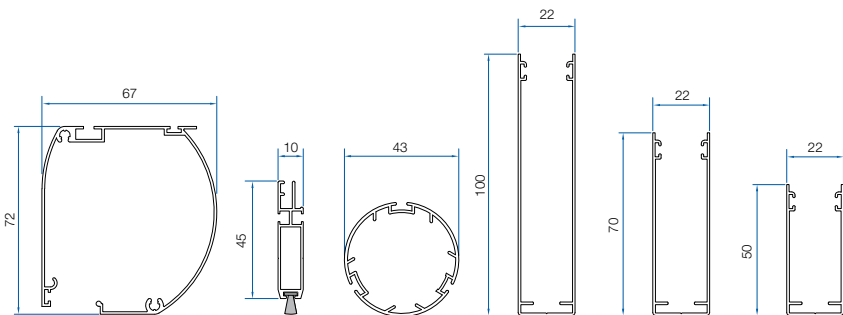


S67 VERTICAL 1800<WIDTH<3200

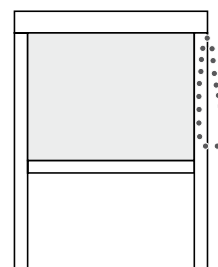
WITH CHAIN



Profiles sections



Opening options



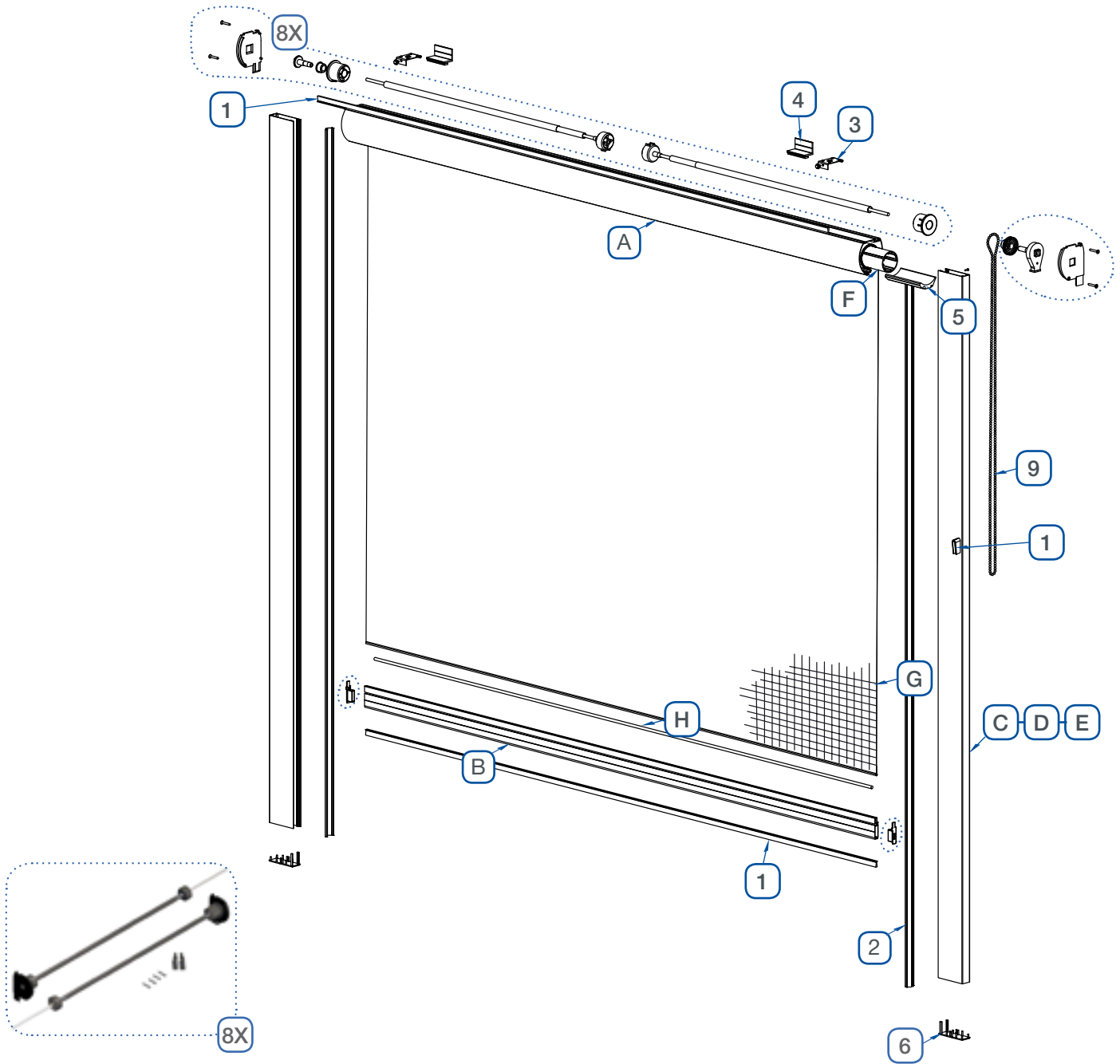
Max dimensions

Width	Height
1800/3200	3200

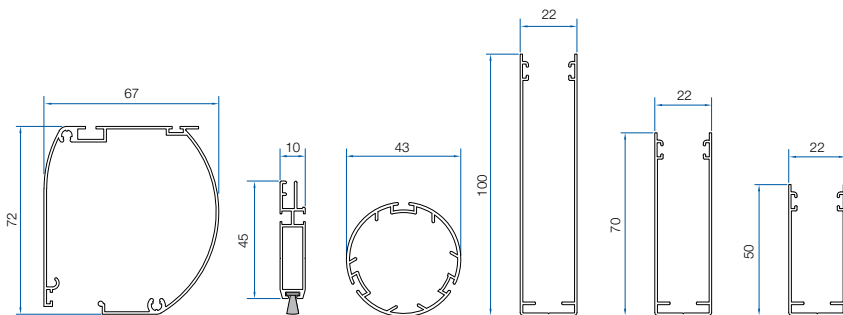


S67 VERTICAL 3200<WIDTH<4600

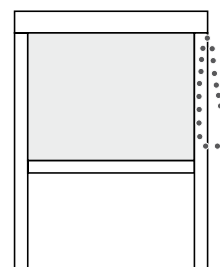
WITH CHAIN



Profiles sections



Opening options



Max dimensions

Width	Height
3200/4600	3200



PROFILES & PARTS

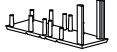
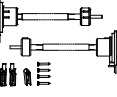
IMAGE

	IMAGE		
A			
B			
C			
D			
E			
F			
G			
H			
1			
2			
3			
4			



PROFILES & PARTS

IMAGE

	IMAGE	
5		
6		
7		
8S		
8L		
8X		
9		
		